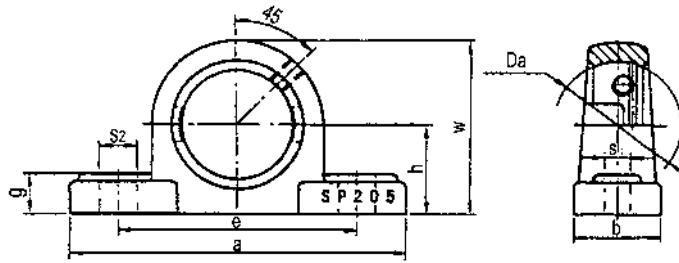


**SOPORTES INOXIDABLES / STAINLESS STEEL PILLOW BLOCKS**  
**PALIER INOXIDABLES / ROSTFREIE HALTERUNGEN**  
**SSP200**



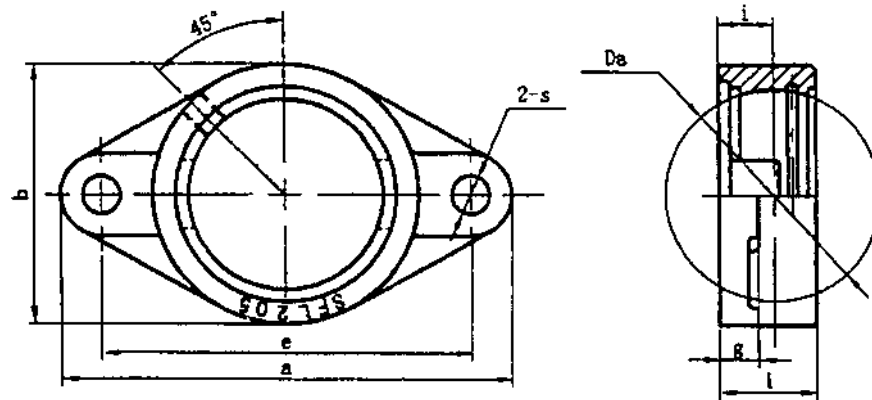
| Soportes<br>Housings<br>Sitzes<br>Lagerungen<br>No. | Dimensiones<br>Dimensions<br>Dimension<br>Dimension<br>(mm) |      |     |       |    |      |      |      |      | Rodamiento<br>Bearing Unit<br>Roulement<br>Kugellager<br>No. | Peso<br>Weight<br>Poids<br>Gewicht<br>(kg) |
|---|---|------|-----|-------|----|------|------|------|------|--|--|
|   | Da  | h    | a   | e     | b  | S1   | S2   | g    | W    |  |  |
| SSP204  | 47  | 33.3 | 126 | 95    | 38 | 11   | 17.5 | 15.1 | 65.1 | SSUC204  | 0.69                                       |
| SSP205  | 52  | 36.5 | 140 | 105   | 38 | 12.5 | 17.5 | 16   | 70   | SSUC205  | 0.74                                       |
| SSP206  | 62  | 42.9 | 165 | 121   | 48 | 14.3 | 21   | 18   | 83   | SSUC206  | 1.29                                       |
| SSP207  | 72  | 47.6 | 167 | 127   | 48 | 14.3 | 22   | 19   | 94   | SSUC207  | 1.42                                       |
| SSP208  | 80  | 49.2 | 184 | 136.5 | 54 | 14.3 | 22   | 19   | 100  | SSUC208  | 1.82                                       |
| SSP209  | 85  | 54   | 190 | 146   | 54 | 15   | 21   | 20   | 109  | SSUC209  | 2.09                                       |
| SSP210  | 90  | 57.2 | 206 | 159   | 60 | 18   | 24   | 22   | 114  | SSUC210  | 2.38                                       |
| SSP211  | 100   | 63.5 | 219 | 171   | 60 | 20   | 23   | 23   | 125  | SSUC211  | 3.14                                       |
| SSP212  | 110   | 69.8 | 241 | 184   | 70 | 20   | 23   | 25   | 138  | SSUC212  | 3.38                                       |

Calidad: AISI 304  
 Quality: AISI 304  
 Qualité: AISI 304  
 Qualität: AISI 304

# SOPORTES INOXIDABLES / STAINLESS STEEL PILLOW BLOCKS

## PALIER INOXIDABLES / ROSTFREIE HALTERUNGEN

### SSFL200



| Soportes<br>Housings<br>Sièges<br>Lagerungen<br>No. | Dimensiones<br>Dimensions<br>Dimensions<br>Dimension<br>(mm) |       |       |      |     |      |      |    | Rodamiento<br>Bearing Unit<br>Roulement<br>Kugellager<br>No. | Peso<br>Weight<br>Poids<br>Gewicht<br>(kg) |
|---|--|-------|-------|------|-----|------|------|----|--|--|
|   | Da   | a     | e     | i    | b   | s2   | g    | s  |  |  |
| SSFL204   | 47   | 112   | 89.7  | 15.1 | 60  | 25.4 | 11.5 | 12 | SSUC204  | 0.317                                      |
| SSFL205   | 52   | 125   | 98.8  | 15.9 | 68  | 27   | 13   | 12 | SSUC205  | 0.44                                       |
| SSFL206   | 62   | 141   | 116.7 | 17.9 | 80  | 30   | 13   | 12 | SSUC206  | 0.58                                       |
| SSFL207   | 72   | 155.5 | 130.2 | 19.1 | 90  | 33   | 14.3 | 13 | SSUC207  | 0.74                                       |
| SSFL208   | 80   | 171.5 | 143.7 | 21   | 100 | 36   | 14.3 | 13 | SSUC208  | 0.99                                       |
| SSFL209   | 85   | 179   | 148.4 | 21.8 | 108 | 38   | 14.3 | 15 | SSUC209  | 1.16                                       |
| SSFL210   | 90   | 189   | 157   | 21.8 | 115 | 39   | 15.1 | 15 | SSUC210  | 1.36                                       |
| SSFL211   | 100  | 224   | 184   | 25   | 130 | 43   | 18   | 19 | SSUC211  | 1.6  |
| SSFL212   | 110  | 250   | 202   | 29   | 140 | 48   | 18   | 23 | SSUC212  | 2.18                                       |

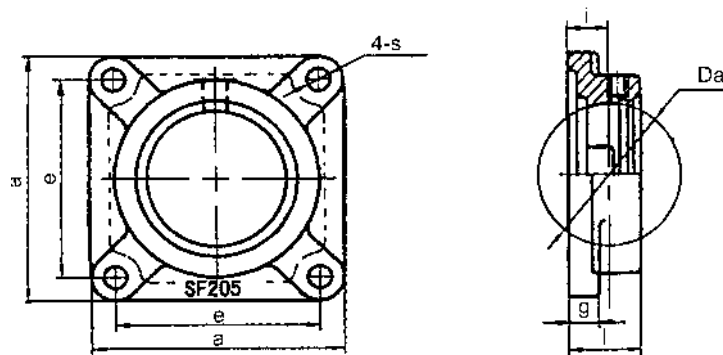
Calidad: AISI 304  
Quality: AISI 304  
Qualité: AISI 304  
Qualität: AISI 304

SOPORTES INOXIDABLES / STAINLESS STEEL PILLOW BLOCKS / PALIER INOXIDABLES / ROSTFREIE HALTERUNGEN

# SOPORTES INOXIDABLES / STAINLESS STEEL PILLOW BLOCKS

## PALIER INOXIDABLES / ROSTFREIE HALTERUNGEN

### SSF200



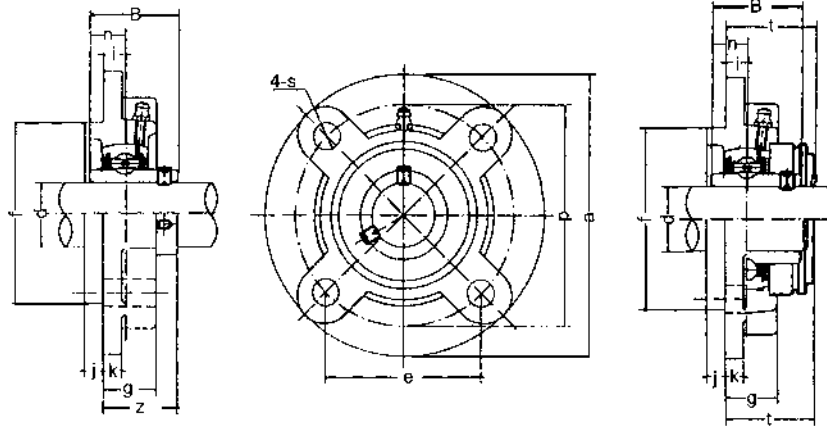
| Soportes<br>Housings<br>Sâges<br>Lagerungen<br>No. | Dimensiones<br>Dimensions<br>Dimensions<br>Dimension<br>(mm) |       |       |      |      |      |    | Rodamiento<br>Bearing Unit<br>Roulement<br>Kugellager<br>No. | Peso<br>Weight<br>Poids<br>Gewicht<br>(kg) |
|--|--|-------|-------|------|------|------|----|--|--|
|  | Da   | a     | e     | i    | l    | g    | s  |  |  |
| SSF204   | 47   | 86    | 63.5  | 15.1 | 25.4 | 12   | 12 | SSUC204  | 0.47                                       |
| SSF205   | 52   | 95    | 70    | 15.9 | 27   | 14   | 12 | SSUC205  | 0.65                                       |
| SSF206   | 62   | 108   | 82.5  | 17.9 | 30   | 14   | 12 | SSUC206  | 0.85                                       |
| SSF207   | 72   | 117.5 | 92    | 19.1 | 33   | 14.3 | 14 | SSUC207  | 1.03                                       |
| SSF208   | 80   | 130   | 101.6 | 21   | 36   | 14.3 | 16 | SSUC208  | 1.38                                       |
| SSF209   | 85   | 137   | 104.8 | 21.8 | 38   | 14.3 | 16 | SSUC209  | 1.50                                       |
| SSF210   | 90   | 143   | 111   | 21.8 | 39   | 15.1 | 16 | SSUC210  | 1.63                                       |
| SSF211   | 100  | 162   | 130   | 25   | 43   | 20   | 19 | SSUC211  | 2.14                                       |
| SSF212   | 110  | 175   | 143   | 29   | 48   | 20   | 19 | SSUC212  | 2.76                                       |

Calidad: AISI 304  
Quality: AISI 304  
Qualité: AISI 304  
Qualität: AISI 304

# SOPORTES INOXIDABLES / STAINLESS STEEL PILLOW BLOCKS

## PALIER INOXIDABLES / ROSTFREIE HALTERUNGEN

### SSFC200



S(SM)-UCFC

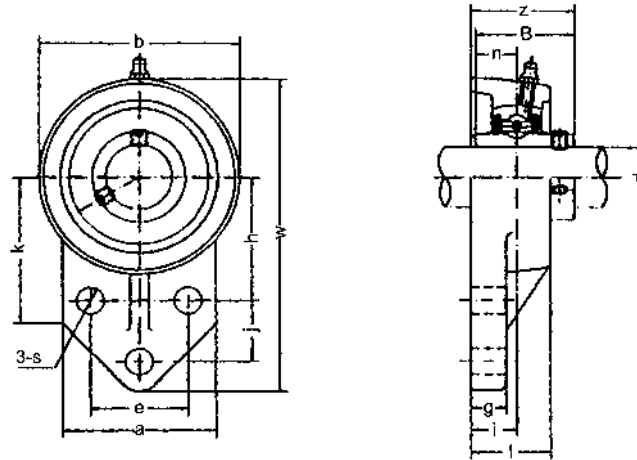
| Soportes<br>Housings<br>Sièges<br>Lagerungen<br>No. | Dimensiones<br>Dimensions<br>Dimensions<br>Dimension<br>(mm) |     |     |       |    |    |    |    |      |     |      |      |      |      |     | Perno D<br>Bolt D<br>Boulon D<br>Schraube D<br>mm | Rodamiento<br>Bearing<br>Roulement<br>Kugellager<br>No. | Peso<br>Weight<br>Poids<br>Gewicht<br>(kg) |
|---|--|-----|-----|-------|----|----|----|----|------|-----|------|------|------|------|-----|---|---|--|
|   | d  | a   | p   | e     | i  | s  | j  | k  | g    | f   | z    | t    | B    | h    |     |   |   |  |
| SSFC201   | 12   | 100 | 78  | 55.1  | 10 | 12 | 5  | 7  | 20.5 | 62  | 28.3 | 32.5 | 31   | 12.7 | M10 | SSUC201   | 0.73  |  |
| SSFC202   | 15   | 100 | 78  | 55.1  | 10 | 12 | 5  | 7  | 20.5 | 62  | 28.3 | 32.5 | 31   | 12.7 | M10 | SSUC202   | 0.72  |  |
| SSFC203   | 17   | 100 | 78  | 55.1  | 10 | 12 | 5  | 7  | 20.5 | 62  | 28.3 | 32.5 | 31   | 12.7 | M10 | SSUC203   | 0.71  |  |
| SSFC204   | 20   | 100 | 78  | 55.1  | 10 | 12 | 5  | 7  | 20.5 | 62  | 28.3 | 32.5 | 31   | 12.7 | M10 | SSUC204   | 0.69  |  |
| SSFC205   | 25   | 115 | 90  | 63.6  | 10 | 12 | 6  | 7  | 21   | 70  | 29.8 | 34   | 34.1 | 14.3 | M10 | SSUC205   | 1.00  |  |
| SSFC206   | 30   | 125 | 100 | 70.7  | 10 | 12 | 8  | 8  | 23   | 80  | 32.2 | 36.5 | 38.1 | 15.9 | M10 | SSUC206   | 1.30  |  |
| SSFC207   | 35   | 135 | 110 | 77.8  | 11 | 14 | 8  | 9  | 26   | 90  | 36.4 | 41   | 42.9 | 17.5 | M12 | SSUC207   | 1.81  |  |
| SSFC208   | 40   | 145 | 120 | 84.8  | 11 | 14 | 10 | 9  | 26   | 100 | 41.2 | 45.5 | 49.2 | 19   | M12 | SSUC208   | 2.14  |  |
| SSFC209   | 45   | 160 | 132 | 93.3  | 10 | 16 | 12 | 14 | 26   | 105 | 40.2 | 44.5 | 49.2 | 19   | M14 | SSUC209   | 2.68  |  |
| SSFC210   | 50   | 165 | 138 | 97.6  | 10 | 16 | 12 | 14 | 28   | 110 | 42.6 | 47.5 | 51.6 | 19   | M14 | SSUC210   | 2.90  |  |
| SSFC211   | 55   | 185 | 150 | 106.1 | 13 | 19 | 12 | 15 | 31   | 125 | 46.4 | 51   | 55.6 | 22.2 | M16 | SSUC211   | 4.01  |  |
| SSFC212   | 60   | 195 | 160 | 113.1 | 17 | 19 | 12 | 15 | 36   | 135 | 56.7 | 61.5 | 65.1 | 25.4 | M16 | SSUC212   | 4.94  |  |

Calidad: AISI 304  
Quality: AISI 304  
Qualité: AISI 304  
Qualität: AISI 304

# SOPORTES INOXIDABLES / STAINLESS STEEL PILLOW BLOCKS

## PALIER INOXIDABLES / ROSTFREIE HALTERUNGEN

### SSFB200



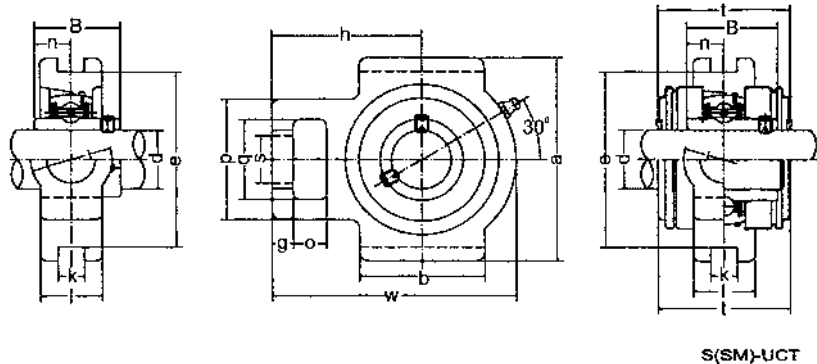
| Soportes<br>Housings<br>Sâges<br>Lagerungen<br>No. | Dimensiones<br>Dimensions<br>Dimensions<br>Dimension<br>(mm) |     |     |    |    |      |    |    |    |    |    |    |      |      |      | Perno D<br>Bolt D<br>Boulon D<br>Schraube D<br>mm | Rodamiento<br>Bearing<br>Roulement<br>Kugellager<br>No. | Peso<br>Weight<br>Poids<br>Gewicht<br>(kg) |
|--|--|-----|-----|----|----|------|----|----|----|----|----|----|------|------|------|---|---|--|
|  | d  | w   | b   | k  | a  | l    | s  | g  | h  | j  | e  | l  | z    | B    | n    |   |   |  |
| SSFB201  | 12   | 110 | 62  | 52 | 52 | 25.5 | 10 | 13 | 42 | 27 | 32 | 15 | 33.3 | 31   | 12.7 | M8  | SSUC201   | 0.58                                       |
| SSFB202  | 15   | 110 | 62  | 52 | 52 | 25.5 | 10 | 13 | 42 | 27 | 32 | 15 | 33.3 | 31   | 12.7 | M8  | SSUC202   | 0.57                                       |
| SSFB203  | 17   | 110 | 62  | 52 | 52 | 25.5 | 10 | 13 | 42 | 27 | 32 | 15 | 33.3 | 31   | 12.7 | M8  | SSUC203   | 0.56                                       |
| SSFB204  | 20   | 110 | 62  | 52 | 52 | 25.5 | 10 | 13 | 42 | 27 | 32 | 15 | 33.3 | 31   | 12.7 | M8  | SSUC204   | 0.54                                       |
| SSFB205  | 25   | 116 | 68  | 52 | 56 | 27   | 10 | 13 | 45 | 27 | 34 | 16 | 35.8 | 34.1 | 14.3 | M8  | SSUC205   | 0.79                                       |
| SSFB206  | 30   | 130 | 78  | 55 | 65 | 31   | 10 | 13 | 50 | 29 | 40 | 18 | 40.2 | 38.1 | 15.9 | M8  | SSUC206   | 0.95                                       |
| SSFB207  | 35   | 144 | 90  | 62 | 70 | 34   | 10 | 15 | 55 | 32 | 46 | 19 | 44.4 | 42.9 | 17.5 | M8  | SSUC207   | 1.29                                       |
| SSFB208  | 40   | 164 | 100 | 72 | 78 | 36   | 12 | 16 | 60 | 41 | 50 | 21 | 51.2 | 49.2 | 19   | M10   | SSUC208   | 1.78                                       |
| SSFB209  | 45   | 174 | 106 | 76 | 80 | 38   | 12 | 18 | 65 | 43 | 54 | 22 | 52.2 | 49.2 | 19   | M10   | SSUC209   | 1.91                                       |
| SSFB210  | 50   | 184 | 112 | 82 | 86 | 40   | 12 | 18 | 68 | 46 | 58 | 22 | 54.6 | 51.6 | 19   | M10   | SSUC210   | 2.36                                       |
| SSFB211  | 55   | 207 | 130 | 86 | 90 | 43   | 14 | 18 | 78 | 50 | 62 | 25 | 58.4 | 55.6 | 22.2 | M12   | SSUC211   | 3.15                                       |
| SSFB212  | 60   | 223 | 140 | 90 | 94 | 48   | 14 | 18 | 84 | 55 | 66 | 29 | 68.7 | 65.1 | 25.4 | M12   | SSUC212   | 3.99                                       |

Calidad: AISI 304  
Quality: AISI 304  
Qualité: AISI 304  
Qualität: AISI 304

# SOPORTES INOXIDABLES / STAINLESS STEEL PILLOW BLOCKS

## PALIER INOXIDABLES / ROSTFREIE HALTERUNGEN

### SST200



S(SM)-UCT

| Soportes<br>Housings<br>Sièges<br>Lagerungen<br>No. | Dimensiones<br>Dimensions<br>Dimensions<br>Dimension<br>(mm) |    |    |     |    |    |     |    |     |     |     |    |    |     |      |      |      | Rodamiento<br>Bearing<br>Roulement<br>Kugellager<br>No. | Peso<br>Weight<br>Poids<br>Gewicht<br>(kg) |
|---|--|----|----|-----|----|----|-----|----|-----|-----|-----|----|----|-----|------|------|------|---|--|
|   | d  | o  | g  | p   | q  | s  | b   | k  | e   | a   | w   | j  | l  | h   | t    | B    | n    |   |  |
| SST201  | 12   | 16 | 10 | 51  | 32 | 19 | 51  | 12 | 76  | 89  | 94  | 32 | 21 | 61  | 44.5 | 31   | 12.7 | SSUC201   | 0.80                                       |
| SST202  | 15   | 16 | 10 | 51  | 32 | 19 | 51  | 12 | 76  | 89  | 94  | 32 | 21 | 61  | 44.5 | 31   | 12.7 | SSUC202   | 0.79                                       |
| SST203  | 17   | 16 | 10 | 51  | 32 | 19 | 51  | 12 | 76  | 89  | 94  | 32 | 21 | 61  | 44.5 | 31   | 12.7 | SSUC203   | 0.78                                       |
| SST204  | 20   | 16 | 10 | 51  | 32 | 19 | 51  | 12 | 76  | 89  | 94  | 32 | 21 | 61  | 44.5 | 31   | 12.7 | SSUC204   | 0.76                                       |
| SST205  | 25   | 16 | 10 | 51  | 32 | 19 | 51  | 12 | 76  | 89  | 97  | 32 | 24 | 62  | 48   | 34.1 | 14.3 | SSUC205   | 0.81                                       |
| SST206  | 30   | 16 | 10 | 56  | 37 | 22 | 57  | 12 | 89  | 102 | 113 | 37 | 28 | 70  | 53   | 38.1 | 15.9 | SSUC206   | 1.22                                       |
| SST207  | 35   | 16 | 13 | 64  | 37 | 22 | 64  | 12 | 89  | 102 | 129 | 37 | 30 | 78  | 59.5 | 42.9 | 17.5 | SSUC207   | 1.44                                       |
| SST208  | 40   | 19 | 16 | 83  | 49 | 29 | 83  | 16 | 102 | 114 | 144 | 49 | 33 | 89  | 69   | 49.2 | 19   | SSUC208   | 2.40                                       |
| SST209  | 45   | 19 | 16 | 83  | 49 | 29 | 83  | 16 | 102 | 117 | 144 | 49 | 35 | 87  | 69   | 49.2 | 19   | SSUC209   | 2.36                                       |
| SST210  | 50   | 19 | 16 | 83  | 49 | 29 | 86  | 16 | 102 | 117 | 149 | 49 | 37 | 90  | 74.5 | 51.6 | 19   | SSUC210   | 2.43                                       |
| SST211  | 55   | 25 | 19 | 102 | 64 | 35 | 95  | 22 | 130 | 146 | 171 | 64 | 38 | 106 | 76   | 55.6 | 22.2 | SSUC211   | 4.11                                       |
| SST212  | 60   | 32 | 19 | 102 | 64 | 35 | 102 | 22 | 130 | 146 | 194 | 64 | 42 | 119 | 89   | 65.1 | 25.4 | SSUC212   | 4.97                                       |

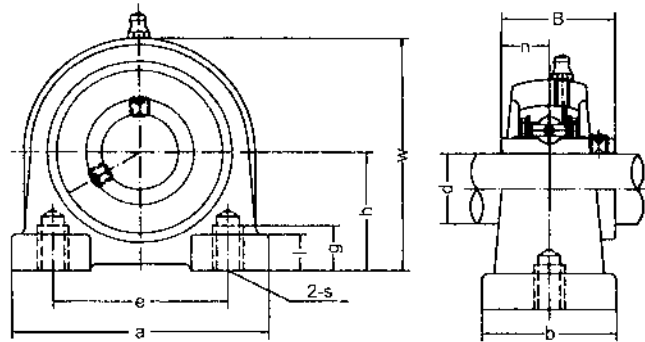
Calidad: AISI 304  
Quality: AISI 304  
Qualité: AISI 304  
Qualität: AISI 304

SOPORTES INOXIDABLES / STAINLESS STEEL PILLOW BLOCKS / PALIER INOXIDABLES / ROSTFREIE HALTERUNGEN

# SOPORTES INOXIDABLES / STAINLESS STEEL PILLOW BLOCKS

## PALIER INOXIDABLES / ROSTFREIE HALTERUNGEN

### SSPA200



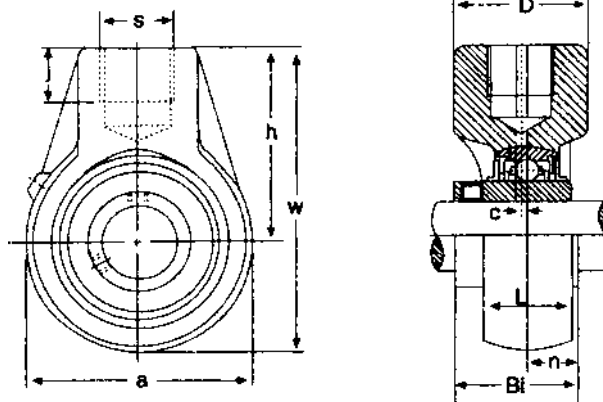
| Soportes<br>Housings<br>Sitzes<br>Lagerungen<br>No. | Dimensiones<br>Dimensions<br>Dimensions<br>Dimension<br>(mm) |      |     |     |    |     |    |    |     |      |      | Perno D<br>Bolt D<br>Boulon D<br>Schraube D<br>mm | Rodamiento<br>Bearing<br>Roulement<br>Kugellager<br>No. | Peso<br>Weight<br>Poids<br>Gewicht<br>(kg) |
|---|--|------|-----|-----|----|-----|----|----|-----|------|------|---|---|--|
|   | d  | h    | a   | e   | b  | s   | g  | l  | w   | B    | n    |   |   |  |
| SSPA201   | 12   | 30.2 | 76  | 52  | 38 | M10 | 15 | 11 | 62  | 31   | 12.7 | M10   | SSUC201   | 0.6  |
| SSPA202   | 15   | 30.2 | 76  | 52  | 38 | M10 | 15 | 11 | 62  | 31   | 12.7 | M10   | SSUC202   | 0.59                                       |
| SSPA203   | 17   | 30.2 | 76  | 52  | 38 | M10 | 15 | 11 | 62  | 31   | 12.7 | M10   | SSUC203   | 0.58                                       |
| SSPA204   | 20   | 30.2 | 76  | 52  | 38 | M10 | 15 | 11 | 62  | 31   | 12.7 | M10   | SSUC204   | 0.56                                       |
| SSPA205   | 25   | 36.5 | 84  | 56  | 38 | M10 | 15 | 12 | 72  | 34.1 | 14.3 | M10   | SSUC205   | 0.83                                       |
| SSPA206   | 30   | 42.9 | 94  | 66  | 48 | M14 | 18 | 12 | 84  | 38.1 | 15.9 | M14   | SSUC206   | 1.12                                       |
| SSPA207   | 35   | 47.6 | 110 | 80  | 48 | M14 | 20 | 13 | 95  | 42.9 | 17.5 | M14   | SSUC207   | 1.48                                       |
| SSPA208   | 40   | 49.2 | 116 | 84  | 54 | M14 | 20 | 13 | 100 | 49.2 | 19   | M14   | SSUC208   | 1.89                                       |
| SSPA209   | 45   | 54.2 | 120 | 90  | 54 | M14 | 25 | 13 | 108 | 49.2 | 19   | M14   | SSUC209   | 1.98                                       |
| SSPA210   | 50   | 57.2 | 130 | 94  | 60 | M16 | 25 | 14 | 116 | 51.6 | 19   | M16   | SSUC210   | 2.16                                       |
| SSPA211   | 55   | 63.5 | 140 | 104 | 66 | M16 | 25 | 14 | 125 | 55.6 | 22.2 | M16   | SSUC211   | 3.26                                       |
| SSPA212   | 60   | 69.9 | 150 | 114 | 68 | M16 | 25 | 15 | 138 | 65.1 | 25.4 | M16   | SSUC212   | 4.19                                       |

Calidad: AISI 304  
Quality: AISI 304  
Qualité: AISI 304  
Qualität: AISI 304

# SOPORTES INOXIDABLES / STAINLESS STEEL PILLOW BLOCKS

## PALIER INOXIDABLES / ROSTFREIE HALTERUNGEN

### SSHA200



| Rodamiento<br>Bearing<br>Roulement<br>Kugellager<br>No. | Diámetro del eje<br>Shaft Diameter<br>Diamètre du axe<br>Achsendurchmesser<br>(mm) | Dimensiones<br>Dimensions<br>Dimensions<br>Dimension<br>(mm) |     |     |    |       |    |      |      |   |    |
|---|--|--|-----|-----|----|-------|----|------|------|---|----|
|   |  | a  | w   | h   | D  | S(in) | j  | Bi   | n    | c | L  |
| SSHA204   | 20   | 64   | 96  | 64  | 40 | G3/4  | 19 | 31   | 12.7 | 0 | 21 |
| SSHA205   | 25   | 70   | 103 | 64  | 40 | G3/4  | 19 | 34   | 14.3 | 0 | 24 |
| SSHA206   | 30   | 78   | 103 | 64  | 40 | G3/4  | 19 | 38.1 | 15.9 | 0 | 28 |
| SSHA207   | 35   | 92   | 116 | 70  | 40 | G3/4  | 19 | 42.9 | 17.5 | 0 | 30 |
| SSHA208   | 40   | 96   | 121 | 73  | 40 | G3/4  | 19 | 49.2 | 19.0 | 2 | 33 |
| SSHA209   | 45   | 108  | 136 | 82  | 48 | G1    | 21 | 49.2 | 19.0 | 4 | 35 |
| SSHA210   | 50   | 118  | 142 | 83  | 48 | G1    | 21 | 51.6 | 19.0 | 5 | 37 |
| SSHA211   | 55   | 126  | 150 | 87  | 60 | G5/4  | 25 | 55.6 | 22.2 | 7 | 38 |
| SSHA212   | 60   | 142  | 173 | 102 | 60 | G5/4  | 28 | 65.1 | 25.4 | 9 | 42 |

Calidad: AISI 304  
Quality: AISI 304  
Qualité: AISI 304  
Qualität: AISI 304