



Hydraulic accessories



SPIRAL HOSE GUARD

Spiral hose guard. Bulge type

Spiral hose guard is made of modified polypropylene with resistance to abrasion, ageing, acid and alkali and anti-ultra-violet. The product is widely used in public work machinery as loaders, excavators, pavers, forklifts, cranes, mining, forest and agricultural machinery.

The wrapping effect of the spiral hose guard is of protection of the hydraulic hoses from falling objects, exposure to sun and thus prevent severe accidents and extend the effective life of the hoses.

There is a choice of colors so that customer may decide which adapts better to the application. The color choice it helps to the driver of the equipment to better distinguish the potential dangers in operation, as for example in timber operations to avoid thick branches or in secluded spaces as in mines. The guard is also effective in softening the effect of an eventual burst of the hose or a leak.

The production process is by thermoplastic extrusion with no burrs, rounded edges to avoid injuries to the hands of the operator and to the hose.

Basic characteristics:

- 1 Outer surface, smooth no cracks and no burrs at the edges
- 2 Available in colors, black, red, yellow, blue and white
- 3 Temperature of plasticity 80°C

There are available two series according the surface of the guard, Bulge and Flat.



Bulge surface hose guard

| REFERENCE | ID mm | OD mm | EDGE THICK | CENTER THICK | PITCH mm | RECOMMENDED |
|-----------|-------|--------|------------|--------------|----------|-----------------|
| | | | mm | mm | | hose use. OD mm |
| TLBS-8 | 8 | 9,40 | 0,4 | 1,20 | 8 | 8-12 |
| TLBS-10 | 10 | 13,00 | 0,4 | 1,30 | 10 | 10-14 |
| TLBS-12 | 12 | 15,00 | 0,5 | 1,50 | 12 | 12-16 |
| TLBS-14 | 14 | 17,00 | 0,5 | 1,50 | 14 | 14-18 |
| TLBS-16 | 16 | 20,00 | 0,5 | 2,00 | 16 | 16-20 |
| TLBS-18 | 18 | 22,00 | 0,5 | 2,00 | 18 | 18-22 |
| TLBS-20 | 20 | 25,00 | 0,5 | 2,50 | 18 | 20-25 |
| TLBS-22 | 22 | 27,00 | 0,5 | 2,50 | 18 | 22-27 |
| TLBS-25 | 25 | 30,00 | 0,7 | 2,50 | 23 | 25-30 |
| TLBS-28 | 28 | 34,00 | 0,7 | 3,00 | 24 | 28-32 |
| TLBS-30 | 30 | 36,00 | 0,7 | 3,00 | 25 | 30-35 |
| TLBS-32 | 32 | 38,00 | 1 | 3,00 | 25 | 32-38 |
| TLBS-35 | 35 | 42,00 | 1 | 3,50 | 25 | 35-40 |
| TLBS-38 | 38 | 45,00 | 1 | 3,50 | 28 | 38-43 |
| TLBS-42 | 42 | 49,00 | 1 | 3,50 | 28 | 42-50 |
| TLBS-45 | 45 | 52,00 | 1 | 3,50 | 28 | 45-60 |
| TLBS-50 | 50 | 57,40 | 1,5 | 4,00 | 35 | 50-70 |
| TLBS-60 | 60 | 68,00 | 2 | 4,00 | 38 | 60-80 |
| TLBS-74 | 74 | 82,00 | 2 | 4,50 | 47 | 74-90 |
| TLBS-80 | 80 | 89,00 | 2 | 4,50 | 50 | 80-100 |
| TLBS-88 | 88 | 97,00 | 2 | 4,50 | 53 | 88-110 |
| TLBS-100 | 100 | 110,00 | 2,5 | 5,00 | 58 | 100-140 |
| TLBS-130 | 130 | 140,00 | 2,5 | 5,00 | 58 | 130-180 |
| TLBS-150 | 150 | 162,00 | 3 | 6,00 | 69 | 150-210 |
| TLBS-200 | 200 | 214,00 | 3,5 | 7,00 | 100 | 200-300 |

Tolerance ID + 0,5 mm, Wall + 0,25

Delivered in rolls of 2, 10 or 50 meter-rolls. Other roll's length can be custom made.

Colors available, Black,Blue ,Red,Yellow, White. Other colors can be custom made.

Spiral hose guard. Flat type



Flat surface hose guard

| REFERENCE | ID mm | OD mm | THICKNESS | PITCH | RECOMMENDED |
|-----------|----------|----------|-----------|-------|-----------------|
| | | | mm | mm | hose use. OD mm |
| TLFS-8 | 8 | 9,40 | 1,20 | 8 | 8-12 |
| TLFS-10 | 10 | 13,00 | 1,30 | 10 | 10-14 |
| TLFS-12 | 12 | 15,00 | 1,50 | 12 | 12-16 |
| TLFS-14 | 14 | 17,00 | 1,50 | 14 | 14-18 |
| TLFS-16 | 16 | 20,00 | 2,00 | 16 | 16-20 |
| TLFS-18 | 18 | 22,00 | 2,00 | 18 | 18-22 |
| TLFS-20 | 20 | 25,00 | 2,50 | 18 | 20-25 |
| TLFS-22 | 22 | 27,00 | 2,50 | 18 | 22-27 |
| TLFS-25 | 25 | 30,00 | 2,50 | 23 | 25-30 |
| TLFS-28 | 28 | 34,00 | 3,00 | 24 | 28-32 |
| TLFS-30 | 30 | 36,00 | 3,00 | 25 | 30-35 |
| TLFS-32 | 32 | 38,00 | 3,00 | 25 | 32-38 |
| TLFS-35 | 35 | 42,00 | 3,50 | 25 | 35-40 |
| TLFS-38 | 38 | 45,00 | 3,50 | 28 | 38-43 |
| TLFS-42 | 42 | 49,00 | 3,50 | 28 | 42-50 |
| TLFS-45 | 45 | 52,00 | 3,50 | 28 | 45-60 |
| TLFS-50 | 50 | 57,40 | 4,00 | 35 | 50-70 |
| TLFS-60 | 60 | 68,00 | 4,00 | 38 | 60-80 |
| TLFS-74 | 74 | 82,00 | 4,50 | 47 | 74-90 |
| TLFS-80 | 80 | 89,00 | 4,50 | 50 | 80-100 |
| TLFS-88 | 88 | 97,00 | 4,50 | 53 | 88-110 |
| TLFS-100 | 100 | 110,00 | 5,00 | 58 | 100-140 |
| TLFS-130 | 130 | 140,00 | 5,00 | 58 | 130-180 |
| TLFS-150 | 150 | 162,00 | 6,00 | 69 | 150-210 |
| TLFS-200 | 200 | 214,00 | 7,00 | 100 | 200-300 |

Tolerance ID +/- 0,5 mm, Wall +/- 0,25

Delivered in rolls of 2, 10 or 50 meter-rolls. Other roll's length can be custom made.
Colors available, Black,Blue ,Red,Yellow, White. Other colors can be custom made.

HYDRAULIC TUBE CLAMPS BASIC

Three series of tube clamps according DIN 3015 Standard are available, Light duty, Heavy duty and Twin series combining each series with

eight different materials and the mechanic finishing of the inside of the clamp body.

Clamp body materials, inside and working temperature range (Wt)

- A1** Polypropylene. Grooved inside. Wt -30°C -90°C
- A2** Polypropylene. Smooth inside. Wt -30°C -90°C
- B1** Polyamide. Grooved inside. Wt -40°C -120°C
- B2** Polyamide. Smooth inside. Wt -40°C 120°C

- C** Aluminum. Grooved inside. Wt -50°C -300°C
- D** Polyoxymethylene. Grooved inside. Wt -80°C -300°C
- E** Steel. Grooved inside. Wt -80°C -300°C
- F** Stainless steel. Grooved inside. Wt -80°C -300°C

Colours available

Polypropylene: Dark green
Polyamide: Black

We may supply according customer's request, colours red & blue with a minimum quantity of 1000 units.

Light duty

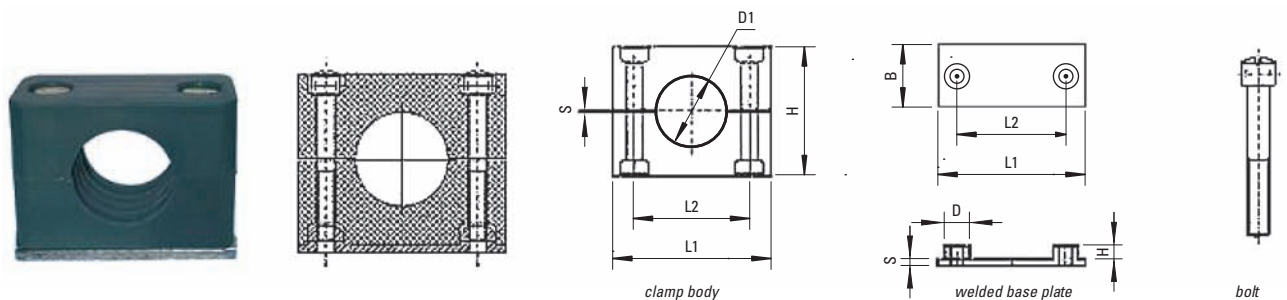
This series is available in thirteen versions combining the base plate, the upper plate and the fixing bolts of the clamp body.

Available for OD tube diameters of 6 to 102 mm:

- TL-LG1** Groove bolts. Clamp body. Welded base plate
- TL-LG2** Hex socket bolt. Clamp body. Welded base plate
- TL-LG3** Hex head bolt. Cover plate. Clamp body. Welded base plate
- TL-LG4** Groove bolts. Clamp body. Long welded base plate
- TL-LG5** Hex socket bolt. Clamp body. Long welded base plate
- TL-LG6** Hex head bolt. Cover plate. Clamp body. Long welded base plate

- TL-LG7** Groove bolts. Clamp body. Rail nuts
- TL-LG8** Hex socket bolts. Clamp body. Rail nuts
- TL-LG9** Hex head bolts. Cover plate. Clamp body. Rail nuts
- TL-G10** Grooved bolts. Clamp body
- TL-G11** Hex socket bolts. Clamp body
- TL-G12** Hex head bolt. Cover plate. Clamp body
- TL-LG13** Stacking bolts*. Safety locking plates. Clamp body

* Stackable up to three levels



- 1** Polypropylene grooved inside light pipe clamp =LPG1
- 2** Polypropylene smooth inside light pipe clamp =LPS1
- 3** Polyamide grooved inside light pipe clamp =LNG1
- 4** Polyamide smooth inside light pipe clamp =LNS1

- 5** Aluminium gooved inside light pipe clamp =LLG1
- 6** POM grooved inside light pipe clamp =LSG1
- 7** Steel gooved inside light pipe clamp =LGG1
- 8** Stainless steel grooved inside light pipe clamp =LBG1



| REFERENCE | OD | CLAMP | | | BASE | | | | | BOLT |
|-----------|--------|--------|--------|-------|--------|-------|-------|--------|--------|--------|
| | | length | height | width | length | width | thick | height | socket | |
| TL-LG1 | 6,000 | 37 | 27 | 30 | 37 | 30 | 3 | 6,5 | 12 | M6x20 |
| TL-LG1 | 6,400 | 37 | 27 | 30 | 37 | 30 | 3 | 6,5 | 12 | M6x20 |
| TL-LG1 | 8,000 | 37 | 27 | 30 | 37 | 30 | 3 | 6,5 | 12 | M6x20 |
| TL-LG1 | 9,500 | 37 | 27 | 30 | 37 | 30 | 3 | 6,5 | 12 | M6x20 |
| TL-LG1 | 10,00 | 37 | 27 | 30 | 37 | 30 | 3 | 6,5 | 12 | M6x20 |
| TL-LG1 | 12,00 | 37 | 27 | 30 | 37 | 30 | 3 | 6,5 | 12 | M6x20 |
| TL-LG1 | 12,70 | 42 | 33 | 30 | 42 | 30 | 3 | 6,5 | 12 | M6x20 |
| TL-LG1 | 13,50 | 42 | 33 | 30 | 42 | 30 | 3 | 6,5 | 12 | M6x20 |
| TL-LG1 | 14,00 | 42 | 33 | 30 | 42 | 30 | 3 | 6,5 | 12 | M6x25 |
| TL-LG1 | 15,00 | 42 | 33 | 30 | 42 | 30 | 3 | 6,5 | 12 | M6x25 |
| TL-LG1 | 16,00 | 42 | 33 | 30 | 42 | 30 | 3 | 6,5 | 12 | M6x25 |
| TL-LG1 | 17,20 | 42 | 33 | 30 | 42 | 30 | 3 | 6,5 | 12 | M6x25 |
| TL-LG1 | 18,00 | 42 | 33 | 30 | 42 | 30 | 3 | 6,5 | 12 | M6x25 |
| TL-LG1 | 19,00 | 50 | 36 | 30 | 50 | 30 | 3 | 6,5 | 12 | M6x30 |
| TL-LG1 | 20,00 | 50 | 36 | 30 | 50 | 30 | 3 | 6,5 | 12 | M6x30 |
| TL-LG1 | 21,30 | 50 | 36 | 30 | 50 | 30 | 3 | 6,5 | 12 | M6x30 |
| TL-LG1 | 22,00 | 50 | 36 | 30 | 50 | 30 | 3 | 6,5 | 12 | M6x30 |
| TL-LG1 | 25,00 | 50 | 36 | 30 | 50 | 30 | 3 | 6,5 | 12 | M6x30 |
| TL-LG1 | 26,90 | 59 | 42 | 30 | 60 | 30 | 3 | 6,5 | 12 | M6x35 |
| TL-LG1 | 28,00 | 59 | 42 | 30 | 60 | 30 | 3 | 6,5 | 12 | M6x35 |
| TL-LG1 | 30,00 | 59 | 42 | 30 | 60 | 30 | 3 | 6,5 | 12 | M6x35 |
| TL-LG1 | 32,00 | 71 | 58 | 30 | 71 | 30 | 3 | 6,5 | 12 | M6x50 |
| TL-LG1 | 33,70 | 71 | 58 | 30 | 71 | 30 | 3 | 6,5 | 12 | M6x50 |
| TL-LG1 | 35,00 | 71 | 58 | 30 | 71 | 30 | 3 | 6,5 | 12 | M6x50 |
| TL-LG1 | 38,00 | 71 | 58 | 30 | 71 | 30 | 3 | 6,5 | 12 | M6x50 |
| TL-LG1 | 40,00 | 71 | 58 | 30 | 71 | 30 | 3 | 6,5 | 12 | M6x50 |
| TL-LG1 | 42,00 | 71 | 58 | 30 | 71 | 30 | 3 | 6,5 | 12 | M6x50 |
| TL-LG1 | 44,50 | 86 | 66 | 30 | 88 | 30 | 3 | 6,5 | 12 | M6x60 |
| TL-LG1 | 48,30 | 86 | 66 | 30 | 88 | 30 | 3 | 6,5 | 12 | M6x60 |
| TL-LG1 | 50,80 | 86 | 66 | 30 | 88 | 30 | 3 | 6,5 | 12 | M6x60 |
| TL-LG1 | 57,20 | 121 | 93 | 30 | 122 | 30 | 5 | 6,5 | 12 | M6x85 |
| TL-LG1 | 60,30 | 121 | 93 | 30 | 122 | 30 | 5 | 6,5 | 12 | M6x85 |
| TL-LG1 | 63,50 | 121 | 93 | 30 | 122 | 30 | 5 | 6,5 | 12 | M6x85 |
| TL-LG1 | 70,00 | 121 | 93 | 30 | 122 | 30 | 5 | 6,5 | 12 | M6x85 |
| TL-LG1 | 73,00 | 121 | 93 | 30 | 122 | 30 | 5 | 6,5 | 12 | M6x85 |
| TL-LG1 | 76,10 | 121 | 93 | 30 | 122 | 30 | 5 | 6,5 | 12 | M6x85 |
| TL-LG1 | 88,90 | 147 | 118 | 30 | 148 | 30 | 5 | 6,5 | 12 | M6x110 |
| TL-LG1 | 102,00 | 147 | 118 | 30 | 148 | 30 | 5 | 6,5 | 12 | M6x110 |

All measures are expressed in mm

All measures are valid for rest of References: TL-LG2; TL-LG3; TL-LG4; TL-LG5; TL-LG6; TL-LG7; TL-LG8; TL-LG9; TL-LG10; TL-LG11; TL-LG12 & TL-LG13

Heavy duty

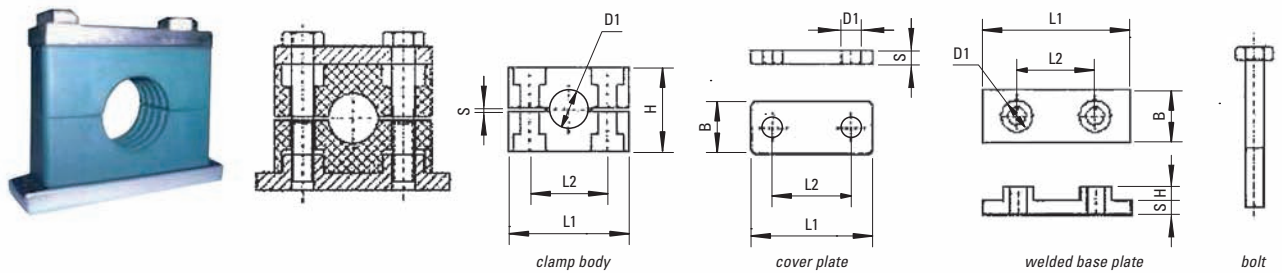
This series is available in eleven versions combining the base plate, the upper plate and the fixing bolts of the clamp body.

Available for OD tube diameters of 6 to 406 mm:

- TL-HG1** Hex head bolt. Cover plate. Clamp body. Welded base plate
- TL-HG2** Hex socket bolt. Cover plate. Clamp body. Welded base plate
- TL-HG3** Hex head bolt. Cover plate. Clamp body. Rail nut
- TL-HG4** Hex socket bolt. Cover plate. Clamp body. Rail nut
- TL-HG5** Stacking bolt*. Cover plate. Clamp body. Safety locking plate
- TL-HG6** Hex head bolt. Cover plate. Clamp body
- TL-HG7** Hex socket bolt. Cover plate. Clamp body
- TL-HG8** Hex head bolt. Cover plate. Long welded plate

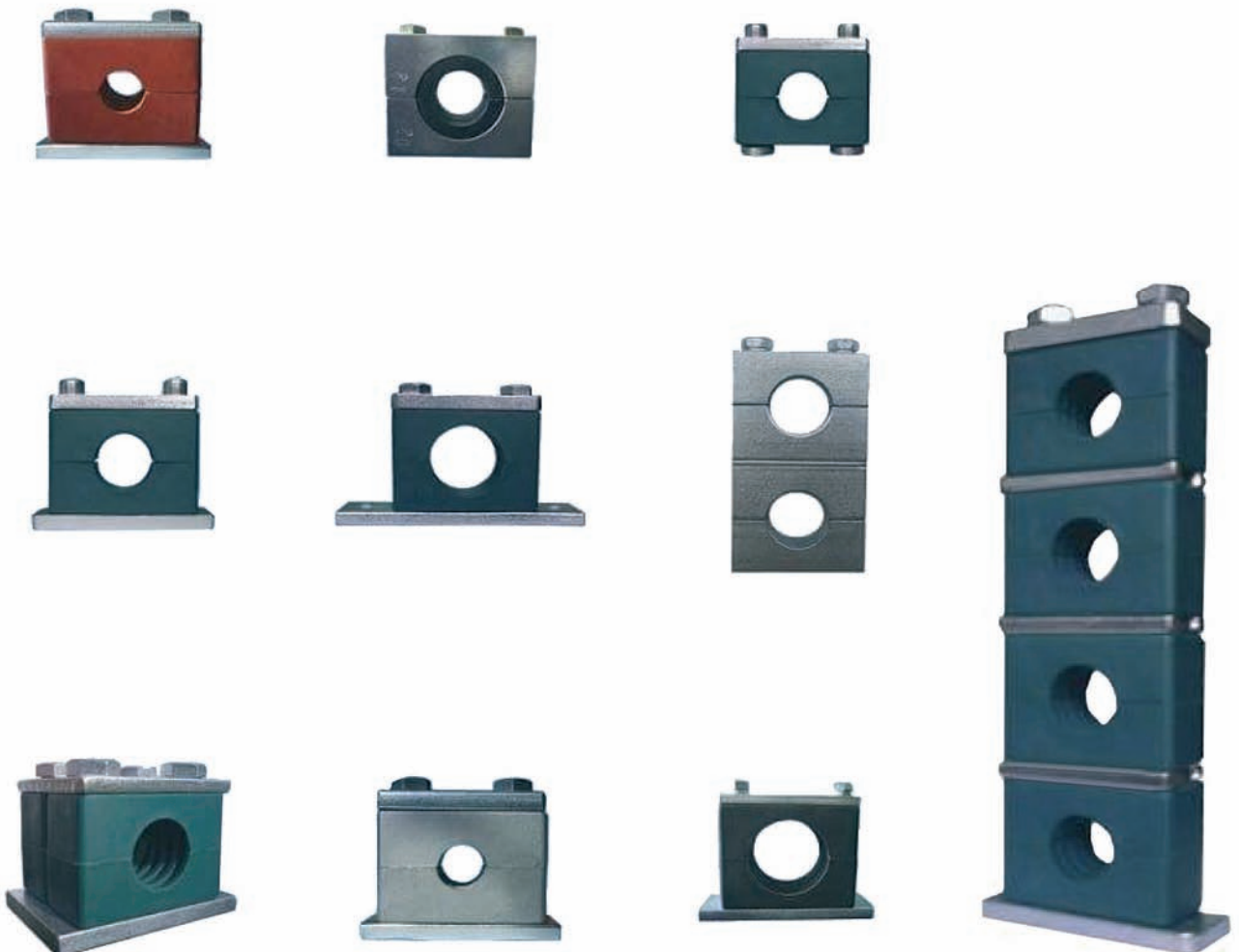
*Stackable up to five levels

- TL-HG9** Hex socket bolt. Cover plate. Clamp body. Long welded plate
- TL-HG10** Hex head/socket bolt. Twin cover plate. Twin clamp body. Twin plate
- TL-HG11** Hex head bolt. Over plate. Clamp body. Washer. Welded base plate
- TL-HG12** Hex head bolt. Cover plate. Clamp body. Welded base plate
- TL-HG13** Hex socket/head bolt. Cover plate. Clamp body. Welded base plate.



- 1** Polypropylene grooved inside heavy pipe clamp =HPG1
- 2** Polypropylene smooth inside heavy pipe clamp =HPS1
- 3** Polyamide grooved inside heavy pipe clamp =HNG1
- 4** Polyamide smooth inside heavy pipe clamp =HNS1

- 5** Aluminium grooved inside heavy pipe clamp =HLG1
- 6** POM grooved inside heavy pipe clamp =HSG1
- 7** Steel grooved inside heavy pipe clamp =HGG1
- 8** Stainless steel grooved inside heavy clamp =HBG1



| REFERENCE | OD | CLAMP | | | CLAMP | | | |
|-----------|-------|--------|--------|-------|-------|--------|--------|-------|
| | | length | height | width | OD | length | height | width |
| TL-HG1 | 6,000 | 55 | 32 | 30 | 60,3 | 115 | 89 | 45 |
| TL-HG1 | 8,000 | 55 | 32 | 30 | 63,5 | 115 | 89 | 45 |
| TL-HG1 | 9,500 | 55 | 32 | 30 | 65 | 115 | 89 | 45 |
| TL-HG1 | 10,00 | 55 | 32 | 30 | 70 | 115 | 89 | 45 |
| TL-HG1 | 12,70 | 55 | 32 | 30 | 70 | 150 | 120 | 60 |
| TL-HG1 | 13,50 | 55 | 32 | 30 | 76,1 | 150 | 120 | 60 |
| TL-HG1 | 14,00 | 55 | 32 | 30 | 80 | 150 | 120 | 60 |
| TL-HG1 | 15,00 | 55 | 32 | 30 | 82,5 | 150 | 120 | 60 |
| TL-HG1 | 16,00 | 55 | 32 | 30 | 88,9 | 150 | 120 | 60 |
| TL-HG1 | 17,20 | 55 | 32 | 30 | 88,9 | 205 | 167 | 80 |
| TL-HG1 | 18,00 | 55 | 32 | 30 | 100 | 205 | 167 | 80 |
| TL-HG1 | 18,00 | 70 | 48 | 30 | 102 | 205 | 167 | 80 |
| TL-HG1 | 19,00 | 70 | 48 | 30 | 108 | 205 | 167 | 80 |
| TL-HG1 | 19,00 | 70 | 48 | 30 | 114 | 205 | 167 | 80 |
| TL-HG1 | 21,30 | 70 | 48 | 30 | 127 | 205 | 167 | 80 |
| TL-HG1 | 22,00 | 70 | 48 | 30 | 133 | 205 | 167 | 80 |
| TL-HG1 | 25,00 | 70 | 48 | 30 | 133 | 250 | 200 | 90 |
| TL-HG1 | 26,90 | 70 | 48 | 30 | 140 | 250 | 200 | 90 |
| TL-HG1 | 28,00 | 70 | 48 | 30 | 152 | 250 | 200 | 90 |
| TL-HG1 | 30,00 | 70 | 48 | 30 | 159 | 250 | 200 | 90 |
| TL-HG1 | 30,00 | 85 | 60 | 30 | 165 | 250 | 200 | 90 |
| TL-HG1 | 32,00 | 85 | 60 | 30 | 168 | 250 | 200 | 90 |
| TL-HG1 | 33,70 | 85 | 60 | 30 | 168 | 336 | 270 | 120 |
| TL-HG1 | 35,00 | 85 | 60 | 30 | 177,8 | 336 | 270 | 120 |
| TL-HG1 | 38,00 | 85 | 60 | 30 | 193,7 | 336 | 270 | 120 |
| TL-HG1 | 40,00 | 85 | 60 | 30 | 216 | 336 | 270 | 120 |
| TL-HG1 | 42,00 | 85 | 60 | 30 | 219 | 336 | 270 | 120 |
| TL-HG1 | 42,00 | 115 | 89 | 45 | 219 | 470 | 410 | 160 |
| TL-HG1 | 44,50 | 115 | 89 | 45 | 273 | 470 | 410 | 160 |
| TL-HG1 | 48,30 | 115 | 89 | 45 | 324 | 470 | 410 | 160 |
| TL-HG1 | 50,80 | 115 | 89 | 45 | 356 | 630 | 534 | 530 |
| TL-HG1 | 55,00 | 115 | 89 | 45 | 406 | 630 | 534 | 530 |
| TL-HG1 | 57,00 | 115 | 89 | 45 | | | | |

All measures are expressed in mm

All measures are valid for rest of References, TL-HG2; TL-HG3; TL-HG4; TL-HG5; TL-HG6; TL-HG7; TL-HG8; TL-HG9; TL-HG10; TL-HG11; TL-HG12 & TL-HG13

Twin series

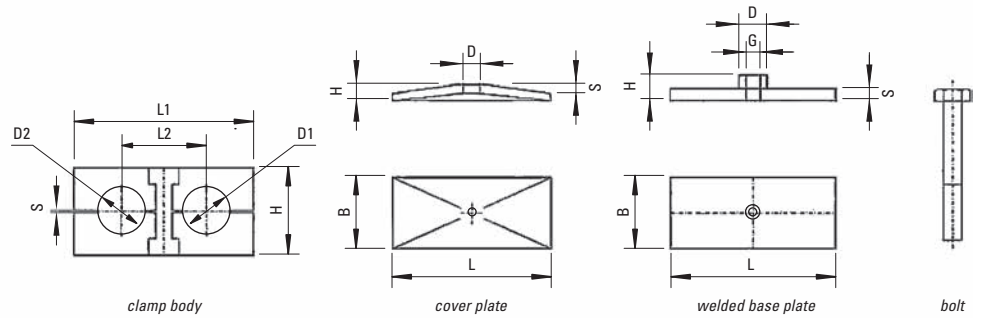
This series is available in eleven versions combining the base plate, the upper plate and the fixing bolts of the clamp body.

Available for OD tube diameters of 6 to 42 mm

- TL-TG1** Hex head bolt. Cover plate. Clamp body. Welded base plate
- TL-TG2** Hex socket bolt. Cover plate. Clamp body. Welded base plate
- TL-TG3** Hex head bolt. Cover plate. Clamp body. Rail nut
- TL-TG4** Hex socket bolt. Cover plate. Clamp body. Rail nut
- TL-TG5** Hex head bolt. Cover plate. Clamp body
- TL-TG6** Stacking bolt*. Cover plate. Clamp body. Safety locking plate

* Stackable up to five levels

- 1** Polypropylene grooved inside heavy pipe clamp =HPG1
- 2** Polypropylene smooth inside heavy pipe clamp =HPS1
- 3** Polyamide grooved inside heavy pipe clamp =HNG1
- 4** Polyamide smooth inside heavy pipe clamp =HNS1
- 5** Aluminium grooved inside heavy pipe clamp =HLG1
- 6** POM grooved inside heavy pipe clamp =HSG1
- 7** Steel grooved inside heavy pipe clamp =HGG1
- 8** Stainless steel grooved inside heavy clamp =HBG1



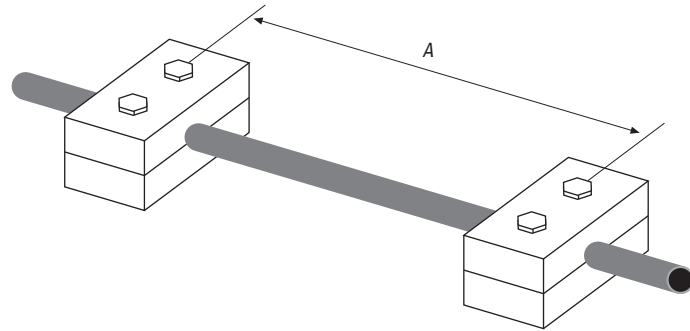
| REFERENCE | OD | CLAMP | | | COVER | | | BASE | | | BOLT |
|-----------|-------|--------|--------|-------|--------|-------|--------|--------|-------|-------|-------|
| | | length | height | width | length | width | height | length | width | thick | |
| TL-TG1 | 6,000 | 36 | 27 | 30 | 36 | 30 | 7 | 37 | 30 | 3 | M6x20 |
| TL-TG1 | 6,400 | 36 | 27 | 30 | 36 | 30 | 7 | 37 | 30 | 3 | M6x20 |
| TL-TG1 | 8,000 | 36 | 27 | 30 | 36 | 30 | 7 | 37 | 30 | 3 | M6x20 |
| TL-TG1 | 9,500 | 36 | 27 | 30 | 36 | 30 | 7 | 37 | 30 | 3 | M6x20 |
| TL-TG1 | 10,00 | 36 | 27 | 30 | 36 | 30 | 7 | 37 | 30 | 3 | M6x20 |
| TL-TG1 | 12,00 | 53 | 27 | 30 | 53 | 30 | 7 | 55 | 30 | 5 | M8x35 |
| TL-TG1 | 12,70 | 53 | 27 | 30 | 53 | 30 | 7 | 55 | 30 | 5 | M8x35 |
| TL-TG1 | 13,50 | 53 | 27 | 30 | 53 | 30 | 7 | 55 | 30 | 5 | M8x35 |
| TL-TG1 | 14,00 | 53 | 27 | 30 | 53 | 30 | 7 | 55 | 30 | 5 | M8x35 |
| TL-TG1 | 15,00 | 53 | 27 | 30 | 53 | 30 | 7 | 55 | 30 | 5 | M8x35 |
| TL-TG1 | 16,00 | 53 | 27 | 30 | 53 | 30 | 7 | 55 | 30 | 5 | M8x35 |
| TL-TG1 | 17,20 | 53 | 27 | 30 | 53 | 30 | 7 | 55 | 30 | 5 | M8x35 |
| TL-TG1 | 18,00 | 53 | 27 | 30 | 53 | 30 | 7 | 55 | 30 | 5 | M8x35 |
| TL-TG1 | 19,00 | 67 | 37 | 30 | 67 | 30 | 7 | 70 | 30 | 5 | M8x45 |
| TL-TG1 | 20,00 | 67 | 37 | 30 | 67 | 30 | 7 | 70 | 30 | 5 | M8x45 |
| TL-TG1 | 21,30 | 67 | 37 | 30 | 67 | 30 | 7 | 70 | 30 | 5 | M8x45 |
| TL-TG1 | 22,00 | 67 | 37 | 30 | 67 | 30 | 7 | 70 | 30 | 5 | M8x45 |
| TL-TG1 | 25,00 | 67 | 37 | 30 | 67 | 30 | 7 | 70 | 30 | 5 | M8x45 |
| TL-TG1 | 26,90 | 80 | 40 | 30 | 80 | 30 | 7 | 85 | 30 | 5 | M8x50 |
| TL-TG1 | 28,00 | 80 | 40 | 30 | 80 | 30 | 7 | 85 | 30 | 5 | M8x50 |
| TL-TG1 | 30,00 | 80 | 40 | 30 | 80 | 30 | 7 | 85 | 30 | 5 | M8x50 |
| TL-LG5 | 32,00 | 106 | 53 | 30 | 106 | 30 | 7 | 110 | 30 | 5 | M8x60 |
| TL-LG5 | 33,70 | 106 | 53 | 30 | 106 | 30 | 7 | 110 | 30 | 5 | M8x60 |
| TL-LG5 | 35,00 | 106 | 53 | 30 | 106 | 30 | 7 | 110 | 30 | 5 | M8x60 |
| TL-LG5 | 38,00 | 106 | 53 | 30 | 106 | 30 | 7 | 110 | 30 | 5 | M8x60 |
| TL-LG5 | 40,00 | 106 | 53 | 30 | 106 | 30 | 7 | 110 | 30 | 5 | M8x60 |
| TL-LG5 | 42,00 | 106 | 53 | 30 | 106 | 30 | 7 | 110 | 30 | 5 | M8x60 |

All measures are expressed in mm. All measures are valid for rest of References: TL-TG2; TL-TG3; TL-TG4; TL-TG5 & TL-TG6

Hints on applications

Recommended installation distance of tube clamps

| OD (mm) | A (mm) |
|-------------|--------|
| 6 - 14 | 0,9 |
| 15 - 22 | 1,2 |
| 23 - 28 | 1,5 |
| 30 - 38 | 2 |
| 40 - 48,3 | 2,5 |
| 50 - 57 | 3 |
| 60,3 - 70 | 3,4 |
| 73 - 88,9 | 3,7 |
| 90 - 108 | 4 |
| 114 - 165,1 | 4,3 |
| 140 - 165,1 | 5 |
| 168,3 - 220 | 5,5 |



How to order

Reference

Series:

L= Light duty

H= Heavy duty

G= Twin

Materials:

A= Polypropylene

B= Polyamide

C= Aluminum

D= Polyoxymethylene

E= Steel

F= Stainless steel

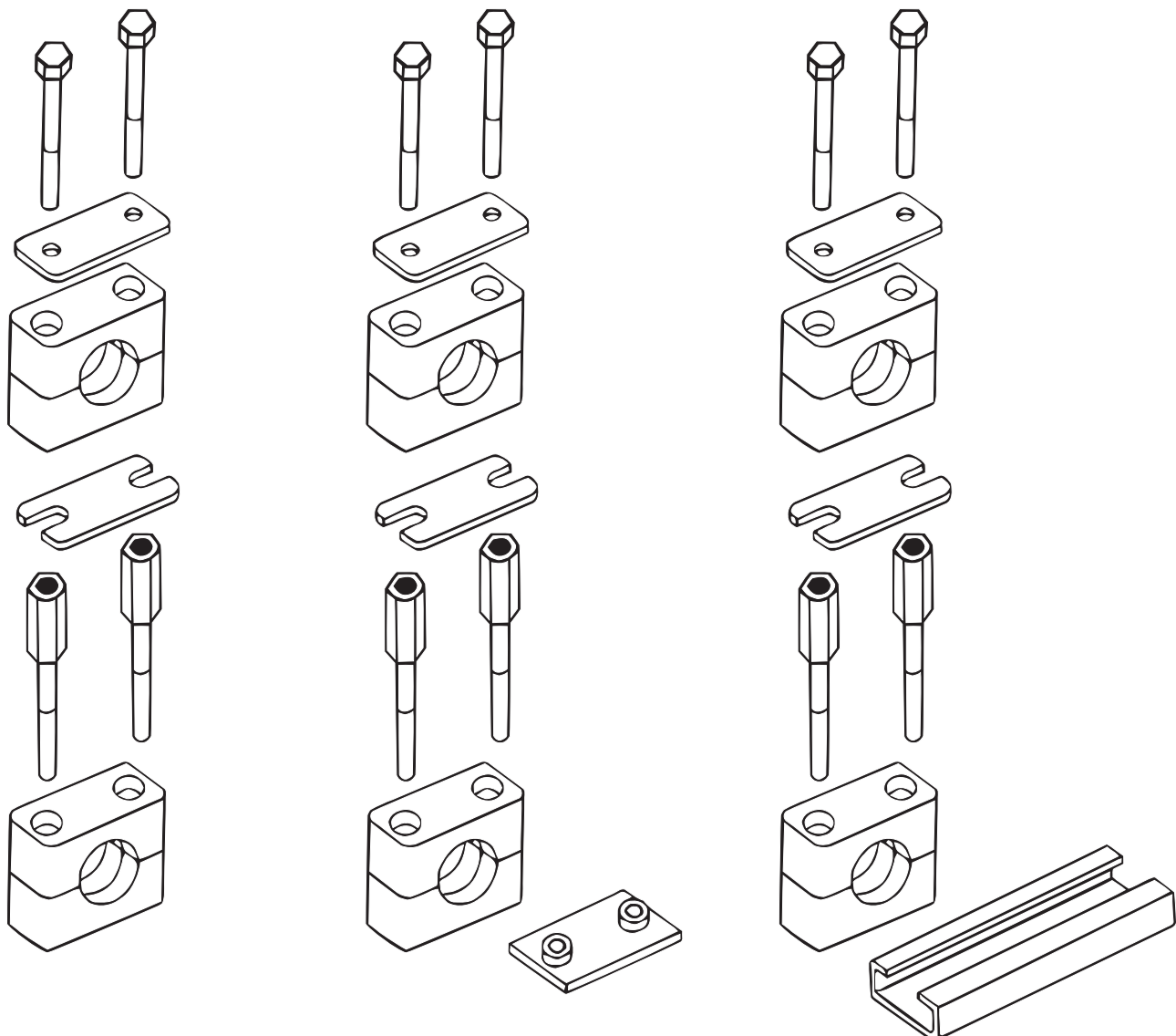
O.D.

Size level

Combination

G= Groove

S= Smooth



HOSE CLAMPS

- 1 T-Bolt hose clamp. TL-TB
- 2 T-Spring hose clamp. TL-TBS
- 3 Double bolt hose clamp. TL-DTB
- 4 Worm drive hose clamp. TL-WDG
 - 4.1 German type hose clamp. TL-WDG
- 5 Double wire hose clamp. TL-DW
- 6 V band hose clamp. TL-V
- 7 Other hose clamps

Clamps are available in the versions W1, W2, W3, W4 & W5:

- W1** All elements are made of galvanized steel
- W2** Band and housing of stainless steel AISI 403.
Bolt of galvanized steel
- W3** All elements are made of stainless steel AISI 403
- W4** All elements are made of stainless steel AISI 304
- W5** All elements are made of stainless steel AISI 316

1 & 2 T-Bolt hose clamp with and without spring

Reference TL-TB and TL-TBS and the size as given in the table.

Available in versions **W1**, **W2** and **W4**.

Hose clamps. T-bolt clamp

| SIZE | BANDWIDTH | THICKNESS W1 | THICKNESS W2/W4 | BOLT | BREAK TORQUE |
|---------|-----------|-----------------|--------------------|---------|--------------|
| 17-19 | 18 | 0,6 | 0,4 | M5x40 | 5 mN |
| 20-22 | 18 | 0,6 | 0,4 | M5x40 | 5 mN |
| 23-25 | 18 | 0,6 | 0,6 | M5x40 | 5 mN |
| 26-28 | 18 | 0,6 | 0,6 | M5x40 | 5 mN |
| 29-31 | 20 | 0,8 | 0,6 | M6x50 | 15 mN |
| 32-35 | 20 | 0,8 | 0,6 | M6x50 | 15 mN |
| 36-39 | 20 | 0,8 | 0,6 | M6x50 | 15 mN |
| 40-43 | 20 | 0,8 | 0,6 | M6x50 | 15 mN |
| 44-47 | 22 | 1,2 | 0,8 | M6x60 | 15 mN |
| 48-51 | 22 | 1,2 | 0,8 | M6x60 | 15 mN |
| 52-55 | 22 | 1,2 | 0,8 | M6x60 | 15 mN |
| 56-59 | 22 | 1,2 | 0,8 | M6x60 | 15 mN |
| 60-63 | 22 | 1,2 | 0,8 | M8x70 | 25 mN |
| 64-67 | 22 | 1,2 | 0,8 | M8x70 | 25 mN |
| 68-73 | 24 | 1,5 | 0,8 | M8x70 | 25 mN |
| 74-79 | 24 | 1,5 | 0,8 | M8x70 | 25 mN |
| 80-85 | 24 | 1,5 | 0,8 | M8x75 | 25 mN |
| 86-91 | 24 | 1,5 | 0,8 | M8x75 | 25 mN |
| 92-97 | 24 | 1,5 | 0,8 | M8x75 | 25 mN |
| 98-103 | 24 | 1,5 | 0,8 | M8x80 | 25 mN |
| 104-112 | 24 | 1,5 | 0,8 | M8x80 | 25 mN |
| 113-121 | 24 | 1,5 | 0,8 | M8x80 | 25 mN |
| 122-130 | 24 | 1,5 | 0,8 | M8x80 | 25 mN |
| 131-139 | 26 | 1,7 | 1 | M10x105 | 40 mN |
| 140-148 | 26 | 1,7 | 1 | M10x105 | 40 mN |
| 149-161 | 26 | 1,7 | 1 | M10x105 | 40 mN |
| 162-174 | 26 | 1,7 | 1 | M10x105 | 40 mN |
| 175-187 | 26 | 1,7 | 1 | M10x120 | 40 mN |
| 188-200 | 26 | 1,7 | 1 | M10x120 | 40 mN |
| 201-213 | 26 | 1,7 | 1 | M10x120 | 40 mN |
| 214-226 | 26 | 1,7 | 1 | M10x120 | 40 mN |
| 227-239 | 26 | 1,7 | 1 | M10x120 | 40 mN |
| 240-252 | 26 | 1,7 | 1 | M10x120 | 40 mN |



All sizes in mm. How to order: TL-DTB and size.

3 Double bolt hose clamp

Reference TL-DTB and the size as given in the table.

Hose clamps. Double bolt

| SIZE | BANDWIDTH | THICKNESS | BOLT | BREAK TORQUE |
|---------|-----------|-----------|-------|--------------|
| 30-40 | 20 | 1 | M6x45 | 15 mN |
| 35-45 | 20 | 1 | M6x45 | 15 mN |
| 40-50 | 20 | 1 | M6x45 | 15 mN |
| 45-55 | 20 | 1 | M6x45 | 15 mN |
| 50-60 | 20 | 1 | M6x45 | 15 mN |
| 55-65 | 20 | 1 | M6x45 | 15 mN |
| 60-70 | 20 | 1 | M6x45 | 15 mN |
| 65-75 | 20 | 1 | M6x45 | 15 mN |
| 70-80 | 20 | 1 | M6x45 | 15 mN |
| 75-85 | 20 | 1 | M6x45 | 15 mN |
| 80-90 | 24 | 1 | M8x60 | 25 mN |
| 85-95 | 24 | 1 | M8x60 | 25 mN |
| 90-100 | 24 | 1 | M8x60 | 25 mN |
| 95-105 | 24 | 1 | M8x60 | 25 mN |
| 100-110 | 24 | 1 | M8x60 | 25 mN |
| 105-115 | 24 | 1 | M8x60 | 25 mN |
| 110-120 | 24 | 1 | M8x60 | 25 mN |
| 120-130 | 24 | 1 | M8x60 | 25 mN |
| 125-135 | 24 | 1 | M8x60 | 25 mN |
| 130-140 | 24 | 1 | M8x60 | 25 mN |
| 135-145 | 24 | 1 | M8x60 | 25 mN |
| 140-150 | 24 | 1 | M8x60 | 25 mN |
| 150-160 | 24 | 1 | M8x60 | 25 mN |
| 155-165 | 24 | 1 | M8x60 | 25 mN |
| 160-170 | 24 | 1 | M8x60 | 25 mN |
| 170-180 | 24 | 1 | M8x60 | 25 mN |
| 180-190 | 24 | 1 | M8x60 | 25 mN |
| 190-200 | 24 | 1 | M8x60 | 25 mN |
| 200-210 | 24 | 1 | M8x60 | 25 mN |
| 210-220 | 24 | 1 | M8x60 | 25 mN |
| 220-230 | 24 | 1 | M8x60 | 25 mN |
| 230-240 | 24 | 1 | M8x60 | 25 mN |
| 240-250 | 24 | 1 | M8x60 | 25 mN |



All sizes in mm.
How to order: TL-DTB and size.

4 Worm drive hose clamps

Reference TL-WD and the size as given in the table.

Hose clamps. Screw worm drive

| SIZE | BANDWIDTH | THICKNESS | BOLT | BREAK TORQUE |
|---------|-----------|-----------|-------|--------------|
| 6-16 | 8 | 0,7 | M6x16 | 2,5 mN |
| 11-20 | 8 | 0,7 | M6x16 | 2,5 mN |
| 13-23 | 8 | 0,7 | M6x16 | 2,5 mN |
| 13-25 | 8 | 0,7 | M6x16 | 2,5 mN |
| 10-20 | 12,7 | 0,8 | M8x30 | 8 mN |
| 11-25 | 12,7 | 0,8 | M8x30 | 8 mN |
| 14-27 | 12,7 | 0,8 | M8x30 | 8 mN |
| 18-32 | 12,7 | 0,8 | M8x30 | 8 mN |
| 21-38 | 12,7 | 0,8 | M8x30 | 8 mN |
| 21-44 | 12,7 | 0,8 | M8x30 | 8 mN |
| 27-51 | 12,7 | 0,8 | M8x30 | 8 mN |
| 33-57 | 12,7 | 0,8 | M8x30 | 8 mN |
| 40-63 | 12,7 | 0,8 | M8x30 | 10 mN |
| 46-70 | 12,7 | 0,8 | M8x30 | 10 mN |
| 52-76 | 12,7 | 0,8 | M8x30 | 10 mN |
| 59-82 | 12,7 | 0,8 | M8x30 | 10 mN |
| 65-89 | 12,7 | 0,8 | M8x30 | 10 mN |
| 72-95 | 12,7 | 0,8 | M8x30 | 10 mN |
| 78-101 | 12,7 | 0,8 | M8x30 | 10 mN |
| 84-108 | 12,7 | 0,8 | M8x30 | 10 mN |
| 91-114 | 12,7 | 0,8 | M8x30 | 10 mN |
| 105-127 | 12,7 | 0,8 | M8x30 | 10 mN |
| 118-140 | 12,7 | 0,8 | M8x30 | 10 mN |
| 130-152 | 12,7 | 0,8 | M8x30 | 10 mN |
| 143-165 | 12,7 | 0,8 | M8x30 | 10 mN |
| 155-178 | 12,7 | 0,8 | M8x30 | 10 mN |

All sizes in mm.
How to order: TL-WD and size.



4.1 German type hose clamp

Reference TL-WDG.
Sizes: From 3/8" to 9"
Bandwidth: 9 mm
Made to size upon request



5 Double wire hose clamp

Reference TL-DW.

Hose clamp. Double wire

| SIZE | WIRE DIA | BOLT |
|---------|----------|-------|
| 11-14 | 1,5 | M5x30 |
| 13-16 | 1,5 | M5x30 |
| 15-18 | 1,5 | M5x30 |
| 17-20 | 1,8 | M5x30 |
| 19-22 | 1,8 | M5x30 |
| 20-24 | 1,8 | M5x30 |
| 22-26 | 1,8 | M5x30 |
| 24-28 | 1,8 | M5x30 |
| 26-30 | 2,2 | M6x40 |
| 28-32 | 2,2 | M6x40 |
| 31-35 | 2,2 | M6x40 |
| 34-38 | 2,2 | M6x40 |
| 35-40 | 2,2 | M6x40 |
| 37-42 | 2,2 | M6x40 |
| 40-45 | 2,2 | M6x40 |
| 43-48 | 2,2 | M6x50 |
| 45-50 | 2,2 | M6x50 |
| 47-52 | 2,2 | M6x50 |
| 50-55 | 2,2 | M6x50 |
| 53-58 | 2,2 | M6x50 |
| 55-60 | 2,2 | M6x60 |
| 54-62 | 2,2 | M6x60 |
| 60-65 | 2,2 | M6x60 |
| 63-68 | 2,2 | M6x60 |
| 65-70 | 2,2 | M6x70 |
| 70-75 | 2,2 | M6x70 |
| 75-80 | 2,5 | M6x70 |
| 80-85 | 2,5 | M6x70 |
| 84-90 | 2,5 | M8x70 |
| 89-95 | 2,5 | M8x70 |
| 94-100 | 2,5 | M8x80 |
| 98-105 | 2,5 | M8x80 |
| 103-110 | 2,5 | M8x80 |
| 108-115 | 2,5 | M8x80 |
| 113-120 | 2,5 | M8x80 |

All sizes in mm.
How to order: TL-DW and size.

Material:

W1: Steel plated.

W2: Screw is steel plated, others all are Stainless steel.

W4: Stainless steel.



6 V-band hose clamp

Reference TL-V.
Sizes: From 1 3/8" to 10"
Made to size upon request



7 Other hose clamps

Hose clamp with butterfly



Throbbing clamp



British type hose clamp



SS Germany hose clamp



Fixing clamp



DIN2817 Hose clamp





Bearings | **Hydraulics** | Power Transmission

www.translinkpt.com